

Network Tallahassee DSL Modem Setup Information

<http://support.nettally.com>

850-671-4007 / 866-586-1598

12/13/2006

Sprint/Embarq (ZyXEL) 645R & 660R series DSL modem/router default settings configured by Network Tallahassee:

WAN

IP address: auto-assigned by Network Tallahassee

LAN

IP address: 192.168.123.1

DHCP enabled: 192.168.123.2 - 192.168.123.127

Subnet mask: 255.255.255.0

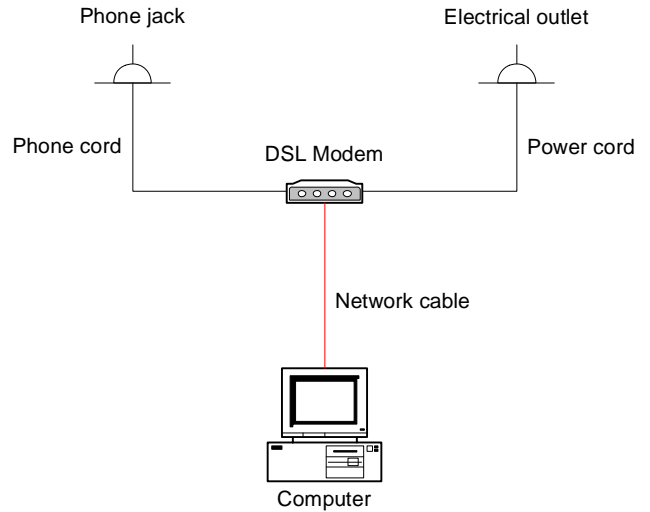
NOTES:

Do NOT press the Reset button on the back of the DSL modem unless specifically instructed to do so by Network Tallahassee. This will set the modem back to factory default settings and it will have to be reconfigured. If you need to reboot the DSL modem, use the power switch on the back.

Previous Windows dial-up users:

Click on Start (then Settings if it exists) then Control Panel. If you see "Switch to Classic View," click on it. Double-click Internet Options then click on the Connections tab. Make sure that "Always dial my default connection" is NOT selected—select either of the other two. Click OK.

Single Computer



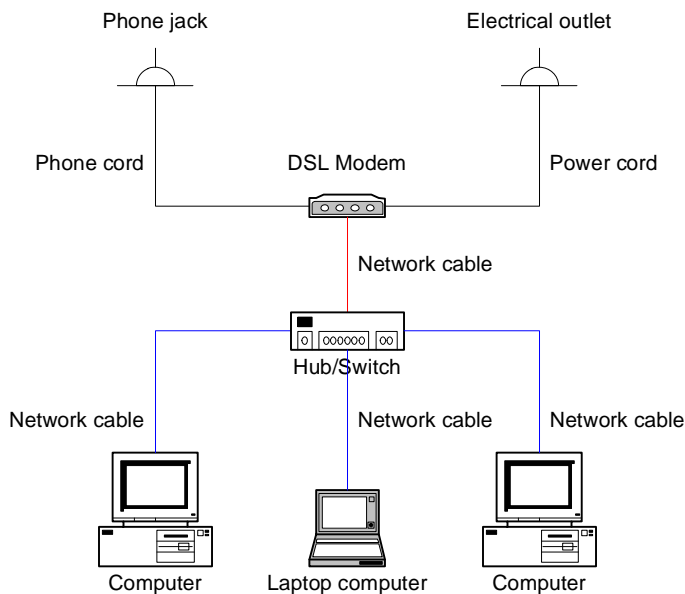
Typical computer settings:

IP address: auto-assigned by DSL modem via DHCP

DNS addresses: auto-assigned by DSL modem via DHCP

Default gateway: auto-assigned by DSL modem via DHCP

Multiple Computers

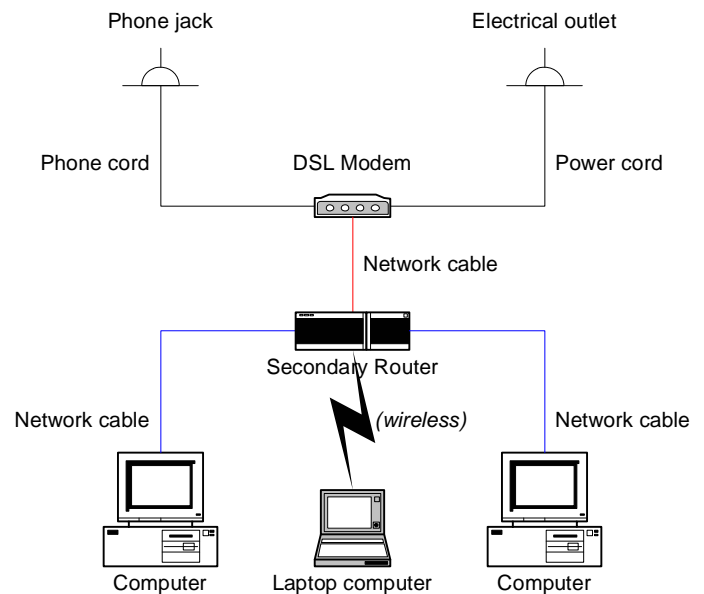


Typical computer settings:

IP address: auto-assigned by DSL modem via DHCP

DNS addresses: auto-assigned by DSL modem via DHCP

Default gateway: auto-assigned by DSL modem via DHCP



Typical computer settings:

IP address: auto-assigned by router via DHCP

DNS addresses: auto-assigned by router via DHCP

Default gateway: auto-assigned by router via DHCP

Typical secondary router configuration

(assuming the DSL modem is configured with above settings):

WAN

IP address: auto-assigned by DSL modem via DHCP

Gateway: auto-assigned by DSL modem via DHCP

DNS addresses: auto-assigned by DSL modem via DHCP

LAN

IP address: 192.168.x.1 (x cannot be 123)

DHCP enabled: 192.168.x.y (y can be any range between 2 and 254)

Subnet mask: 255.255.255.0

NOTES: The secondary router's LAN subnet (e.g. 192.168.100.z) cannot overlap the DSL modem's LAN subnet (e.g. 192.168.123.z). Do NOT use PPP authentication (DSL modem handles it).